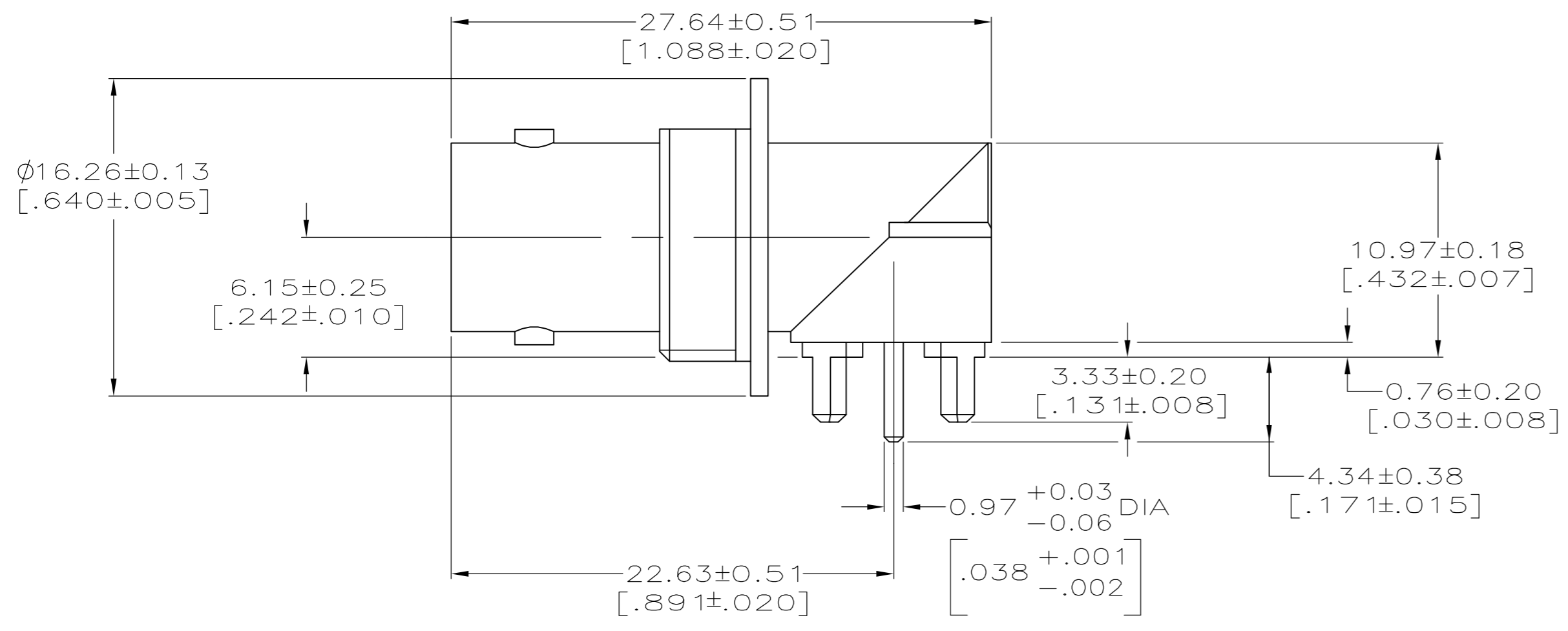
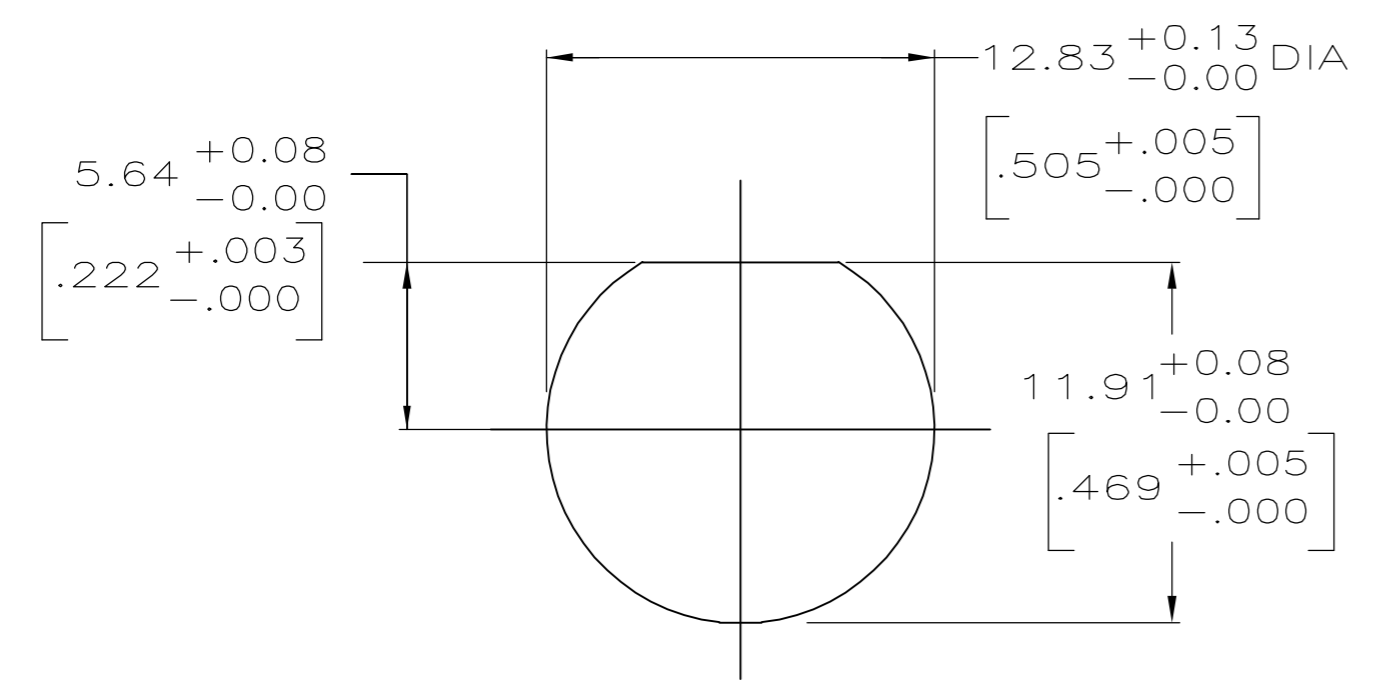
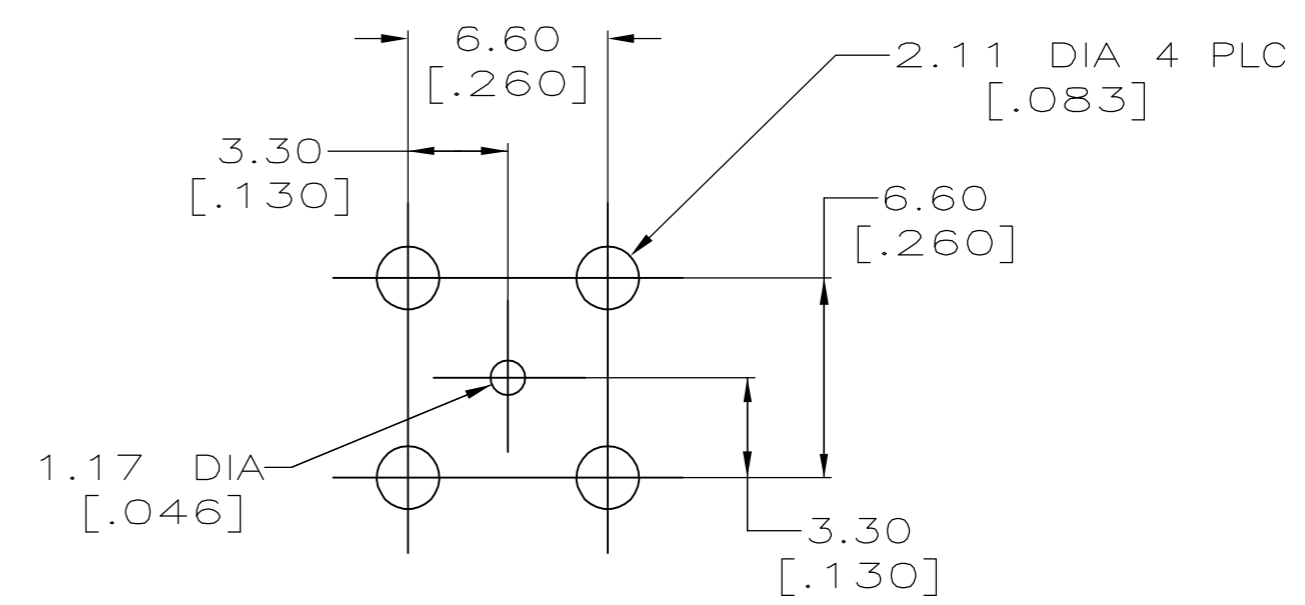
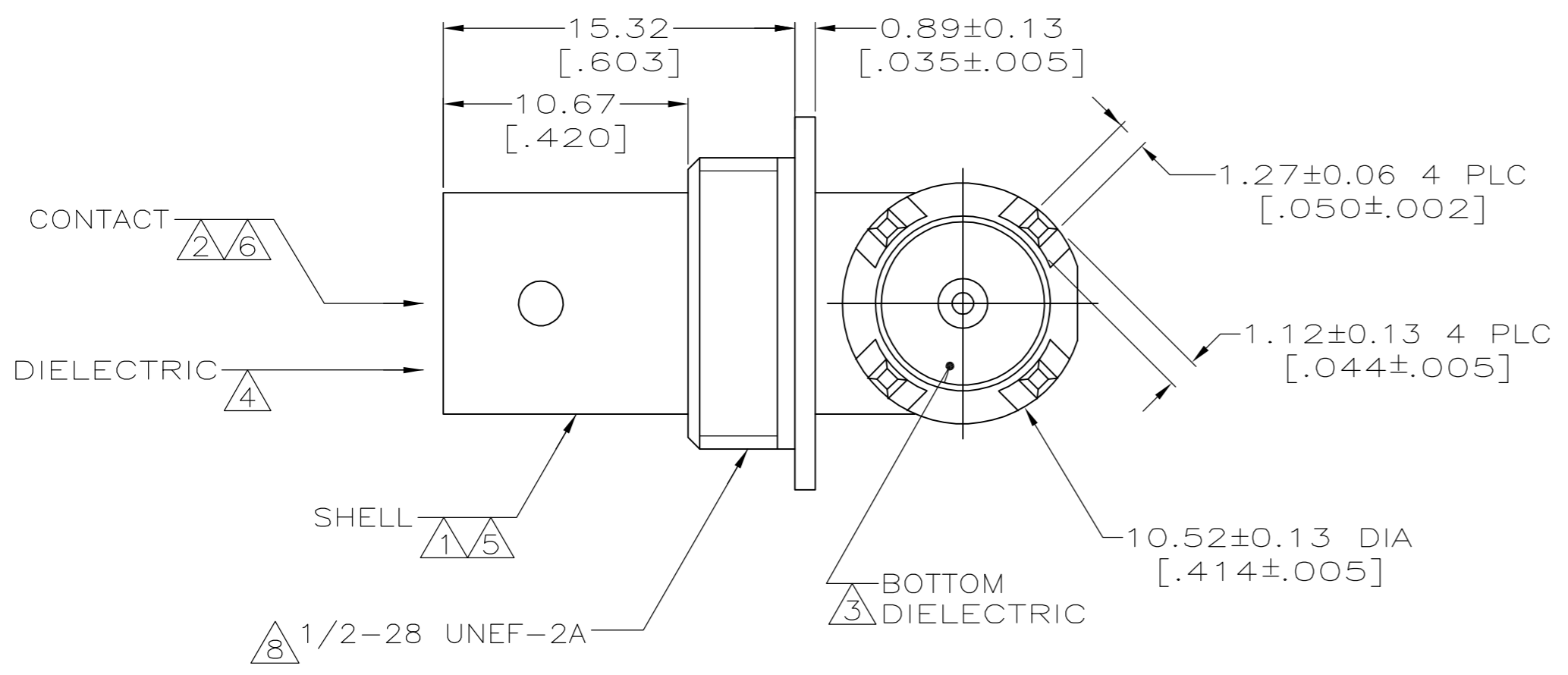


THIS DRAWING IS UNPUBLISHED. RELEASED FOR PUBLICATION  
 © COPYRIGHT BY TYCO ELECTRONICS CORPORATION. ALL RIGHTS RESERVED.

LOC		DIST		REVISIONS			
P	LTR	DESCRIPTION		DATE	DWN	APVD	
AJ	00	A	REV PER ECO 06-024121	1/29/2007	DW	JL	



- ① ZINC PER QQ-Z-363
- ② BERYLLIUM COPPER PER ASTM-B-197
- ③ PTFE PER MIL-P-19468
- ④ POLYMETHYLPENTENE, GENERAL PURPOSE
- ⑤ TIN PLATE PER ASTM-B-545, 3.81  $\mu$ m [ $.000150$ ] MIN THICK.
- ⑥ GOLD PLATE PER MIL-G-45204, 0.76  $\mu$ m [ $.000030$ ] MINIMUM THICKNESS
- ⑦ INTERFACE PER MIL-C-39012
- ⑧ MODIFIED MAJOR DIAMETER TO 12.29 [ $.484$ ]



RECOMMENDED PANEL CUTOUT

PCB CONFIGURATION

5415373-1  
 PART NUMBER

THIS DRAWING IS A CONTROLLED DOCUMENT.		DWN G. ATTADIA - DOCK5 01FEB2005	tyco Electronics		Tyco Electronics Corporation Harrisburg, PA 17105-3608	
DIMENSIONS: mm [INCHES]		CHK J. HAVENER 01FEB2005	NAME JACK, PCB, RIGHT ANGLE, 75 OHM, BNC			
TOLERANCES UNLESS OTHERWISE SPECIFIED:		APVD J. LIPPERT 01FEB2005	PRODUCT SPEC			
0 PLC ± -		APPLICATION SPEC				
1 PLC ± -		WEIGHT -				
2 PLC ± 0.08 [.003]		SIZE A2				
3 PLC ± -		CAGE CODE 00779				
4 PLC ± -		DRAWING NO C=5415373				
ANGLES ± -		RESTRICTED TO -				
FINISH		SCALE 4:1				
SEE NOTES		SHEET 1 of 1				
SEE NOTES		REV A				
CUSTOMER DRAWING						